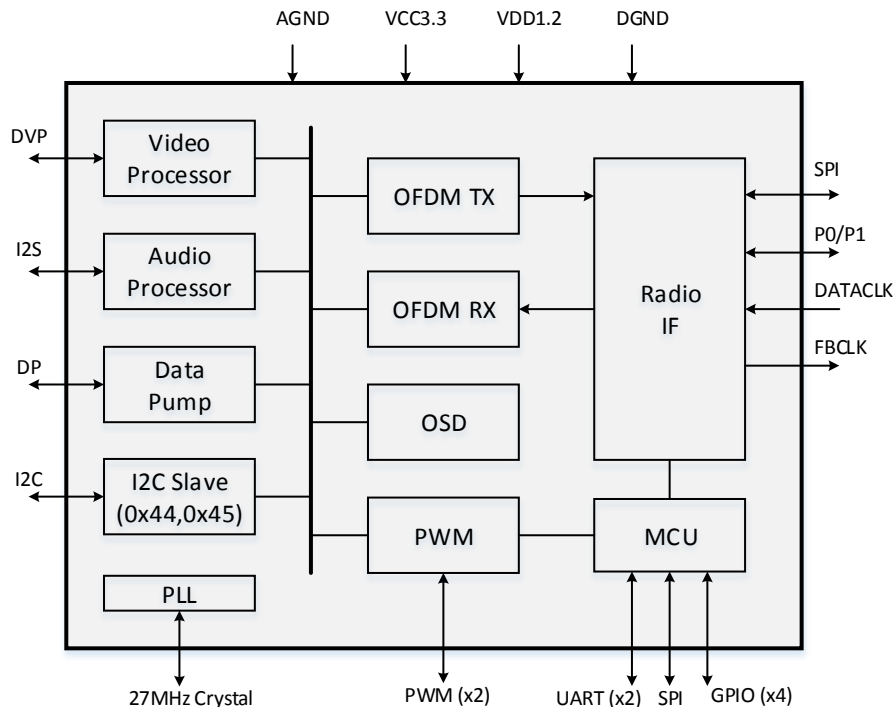


Wireless Video Transceiver with Near Zero Latency

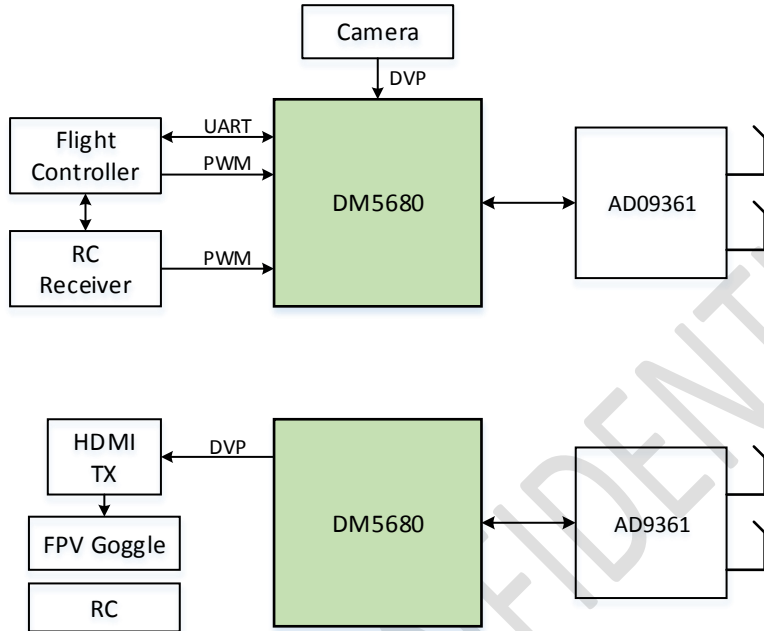
Features

- **Wireless video transceiver**
 - No video compression needed
 - Less than 1ms latency
 - Up to 1080P30
- **Video interface**
 - BT.656
 - BT.1120
 - H/V/F Timing
- **Audio interface**
 - I2S
 - Master or slave mode
- **Peripherals**
 - 2xUART
 - 2xPWM
 - 4xGPIO
 - Serial Data Port
- **Built in OSD for displaying**
 - Telemetry Parameters
 - Battery voltage
 - GPS and etc.
- **Radio frequency band**
 - UHF (340M/520MHz/1.4GHz/...)
 - ISM (2.4G/5.8GHz)
- **1.2V/3.3V power supplies**
- **Small footprint 96-QFN,10x10mm²**
- **Low power operation, typical 200mw**
- **Application**
 - First Person View(FPV)
 - Unmanned Aerial Vehicle (UAV)
 - Unmanned Ground Vehicle (UGV)

Block Diagram



FPV Application: Glass to Glass Delay < 30ms



UV Application: Glass to Panel Delay < 80ms

